

# Fusor<sup>®</sup> 129 Controlled Flow Seam Sealer (Fast)

## Description

LORD Fusor<sup>®</sup> 129 controlled flow sealer is a two-component, epoxy-based seam sealer used for duplicating factory appearance on roof channels, door seams, drip rails, trunk seams and truck bed floor seams.

Fusor 129 seam sealer is fast curing and bonds extremely well to painted and two-component primed surfaces. Sealer can be applied directly to bare metal on rigid joints, however flexible joints, such as roof seams and drip rails, should always be primed.

## Features and Benefits

**High Performance** – provides excellent adhesion to bare or primed surfaces.

**Versatile** – bonds to epoxy or urethane two-component primed surfaces; weld through with minimal burn back; tolerates 400°F (204°C) powder coating cure for 30 minutes.

**Excellent Appearance** – easily duplicates factory appearance; provides extremely flexible seal with no shrinkage, cracking or sagging; applies in smooth continuous beads with no gun lines.

**Environmentally Resistant** – provides excellent corrosion protection.

**Easy to Finish** - can be tooled, but is not required for factory look, cured sealer may be sanded to a feather-edge.

## Typical Properties\*

Appearance	Beige Paste
Base Chemistry	Epoxy
Work Time	5-8 minutes @ 70°F (21°C)
Sand Time	30 minutes @ 70°F (21°C)
Paint Time	30 minutes @ 70°F (21°C)
Full Cure	1 hour @ 70°F (21°C)

\*Data is typical and not to be used for specification purposes.

## Application

**Prepare** – Clean the area to be sealed with Fusor adhesion prep/cleaner (Stock #703).

If sealing bare metal, scuff-sand metal with 80-120 grit sandpaper until shiny in appearance.

If sealing painted or primed surface, ensure applied primer has cured according to manufacturer's recommendations, then scuff-sand paint or two-component primer with 400-grit sandpaper or gray scuff pad.

Re-clean the area to be sealed with Fusor adhesion prep/cleaner. Apply masking tape to both sides of seam.

**Apply** – Load the cartridge into the dispensing gun and remove the end caps. Level the plungers by expelling a small amount of sealer to ensure that material is coming out of both sides of the cartridge. Attach mixing tip and dispense a small amount of sealer to verify the material is evenly mixed and the color is consistent.

Apply sealer to the seam in a continuous bead (see Figure 1). If desired, tool the sealer immediately after application. Remove air bubbles using a toothpick or cool heat gun.

Note: Various applications, cleaners/solvents and coatings may not be compatible with this product and should be tested by the user before proceeding with intended repair procedure.

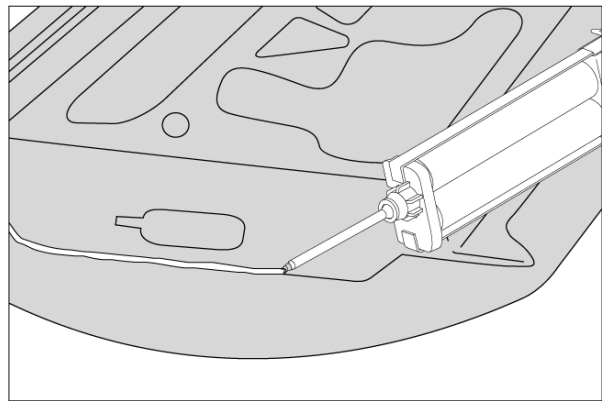
**Finish** – Remove masking tape within 5-8 minutes after sealer application. Allow sealer to cure for 30 minutes at room temperature. Scuff, prime and paint per manufacturer's recommendations.

For more application information, refer to [www.lord.com/fusor](http://www.lord.com/fusor) for standard operating procedures or application training videos.

## Technical Tips

- Always scuff and clean the surface before applying Fusor sealer.
- Do not apply Fusor sealer over self-etch primer or one-component primer.

**Figure 1 – Apply Sealer in Continuous Bead**



# LORD TECHNICAL DATA

## Shelf Life/Storage

Shelf life is 24 months from date of manufacture when stored at 75°F (24°C) in original, unopened container.

## Cautionary Information

Before using this or any LORD product, refer to the Safety Data Sheet (SDS) and label for safe use and handling instructions.

*For industrial/commercial use only.* Must be applied by trained personnel only. Not to be used in household applications. Not for consumer use.

## Durability Performance\*

Elongation	—
Corrosion Control	1000 hours, ASTM B117 Salt Spray

\*Data is typical and not to be used for specification purposes.

# LORD TECHNICAL DATA

## LORD Fusor® Repair Products Lifetime Guarantee\*

LORD Corporation guarantees to the user that LORD Fusor® Repair Products (adhesives, primers, seam sealers and foams only), when used in strict accordance with LORD Corporation's application and use instructions, will provide a durable repair for the life of the vehicle per the product's technical data sheet. *The user is solely responsible for determining the Fusor product and application method for the repair.* Application and product guidance can be found on Fusor.com.

**THIS EXPRESS WARRANTY IS MADE IN LIEU OF AND EXCLUDES ANY AND ALL OTHER WARRANTIES, EXPRESS OR IMPLIED, BY OPERATION OF LAW OR OTHERWISE, INCLUDING THE IMPLIED WARRANTIES OF MERCHANTABILITY AND FITNESS FOR A PARTICULAR PURPOSE.**

LORD Corporation shall not be liable under any circumstance for any liability, loss, damage or expense directly or indirectly arising from the application and use of LORD Fusor Products sold hereunder or from any other cause. LORD Corporation shall not be liable under any circumstances for consequential, indirect or special damages. **LORD CORPORATION'S LIABILITY FOR BREACH OF WARRANTY HEREUNDER IS IN ALL INSTANCES LIMITED SOLELY AND EXCLUSIVELY TO THE REASONABLE COSTS OF REPAIR AND/OR REPLACEMENT OF THE BONDED METAL COMPONENTS OF THE VEHICLE.**

This guarantee shall only apply to the above referenced LORD Fusor products sold by LORD Corporation on or after January 1, 2001.

LORD Fusor Metal Bonding Adhesives shall only be used for the adhesive-only bonding (no welds or rivets) of metal to metal assemblies (steel or aluminum) in full or partial panel replacements of door skins, roof skins, quarter panels, rear body panels and other outer body sheet metal.

LORD Fusor products shall not be used for adhesive-only bonding of any structural component unless specifically recommended by the vehicle manufacturer. Structural panels must be replaced in strict compliance with vehicle manufacturer guidelines. If in doubt as to what is a structural component or the proper installation method, contact the vehicle manufacturer. Further, any LORD Fusor products used in marine composite repair, such as with personal water craft and the like, shall be limited to repairs above the water line.

If you have any questions or need to receive proper use instructions, contact the LORD Customer Support Center at +1 800 234 Fusor (3876) or visit Fusor.com.

**To comply with the requirements of the LORD Fusor Repair Products Lifetime Guarantee, attach a copy of this completed page to the repair record, and retain with your files:**

Vehicle Make/Model: \_\_\_\_\_

Vehicle Identification Number: \_\_\_\_\_

LORD Fusor Product(s) Used for Repair: \_\_\_\_\_

Lot Number(s) on Cartridge(s) Used for Repair: \_\_\_\_\_

*\*This guarantee is void if product is used after the date printed on the cartridge label. LORD Terms and Conditions of Sale shall apply to all sales of LORD Fusor products.*



Instructions contained in this document need to be followed to qualify for the LORD Fusor Lifetime Guarantee. Values stated in this technical data sheet represent typical values as not all tests are run on each lot of material produced. For formalized product specifications for specific product end uses, contact the Customer Support Center.

Information provided herein is based upon tests believed to be reliable. In as much as LORD Corporation has no control over the manner in which others may use this information, it does not guarantee the results to be obtained. In addition, LORD Corporation does not guarantee the performance of the product or the results obtained from the use of the product or this information where the product has been repackaged by any third party, including but not limited to any product end-user. Nor does the company make any express or implied warranty of merchantability or fitness for a particular purpose concerning the effects or results of such use.

Fusor and "Ask Us How" are trademarks of LORD Corporation or one of its subsidiaries. I-CAR and Industry Training Alliance are registered trademarks of Inter-Industry Conference on Auto Collision Repair. ASE is a registered trademark of the National Institute for Automotive Service Excellence.

LORD provides valuable expertise in adhesives and coatings, vibration and motion control, and magnetically responsive technologies. Our people work in collaboration with our customers to help them increase the value of their products. Innovative and responsive in an ever-changing marketplace, we are focused on providing solutions for our customers worldwide ... Ask Us How.

### LORD Corporation World Headquarters

111 Lord Drive  
Cary, NC 27511-7923  
USA

### Customer Support Center (in United States & Canada)

+1 877 ASK LORD (275 5673)

[www.lord.com](http://www.lord.com)

For a listing of our worldwide locations, visit [LORD.com](http://LORD.com).